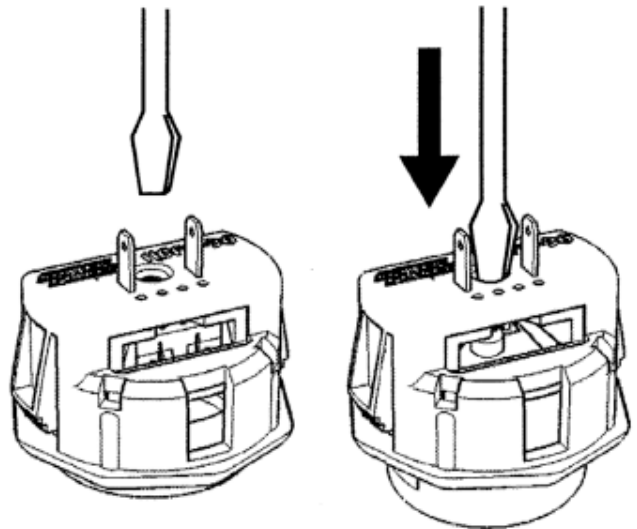


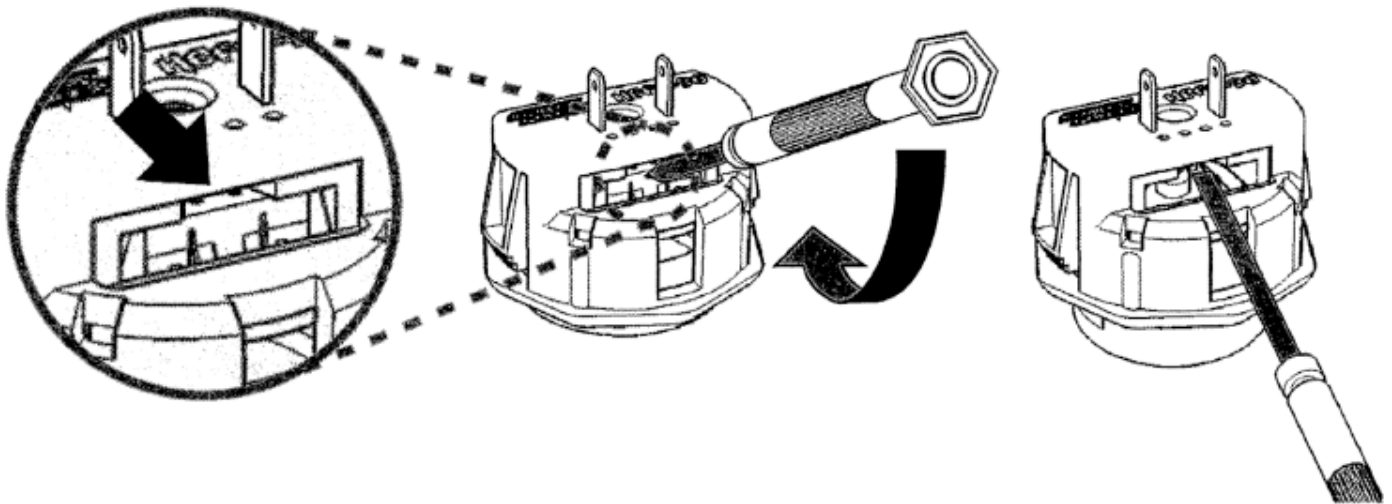
HBFS-30-G2 Microswitch Remove Manual

1) Two Ways to Remove the Microswitch

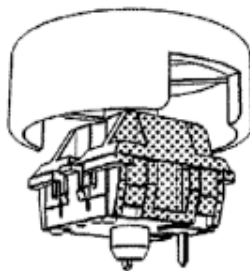
a. Use a small flathead screwdriver to push the microswitch from Base bottom.



b. Pry the microswitch from the gap by small flathead screwdriver.

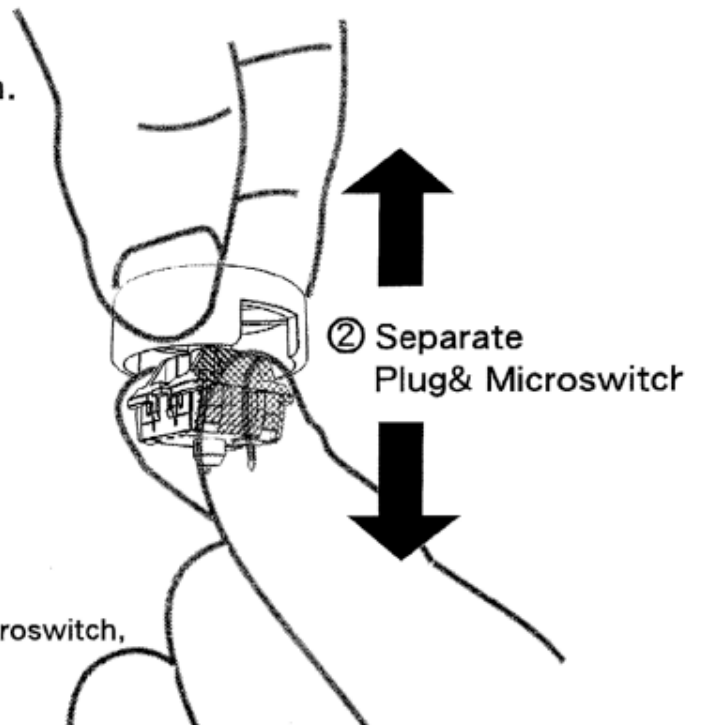


2) How to Separate Cap and Microswitch.



① Pinch the gray area hardly.

*Because Thermal Expansion,
When the room temperature is too low,
is Not Easy to separate the plug and microswitch,
May cause damage to the microswitch.

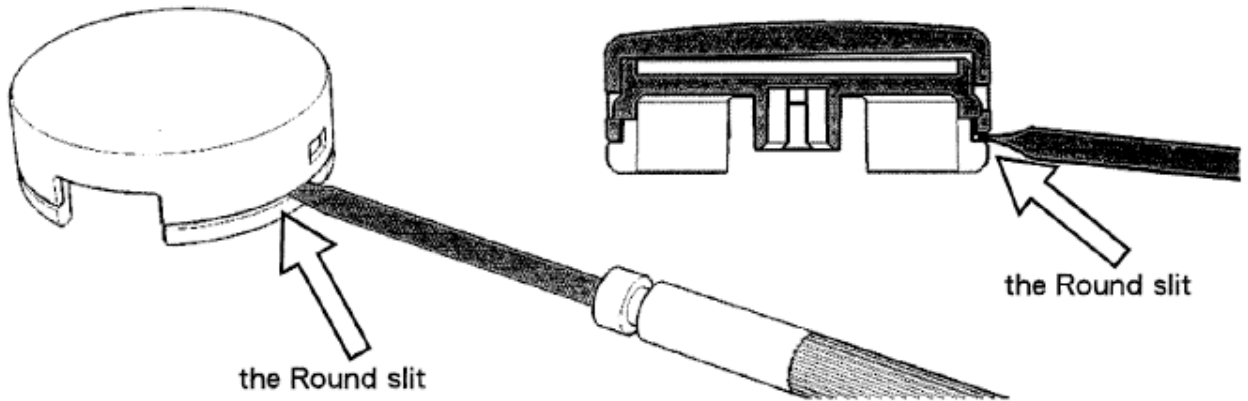


HBFS-30-G2 Crystal Cap Disassemble Recommend

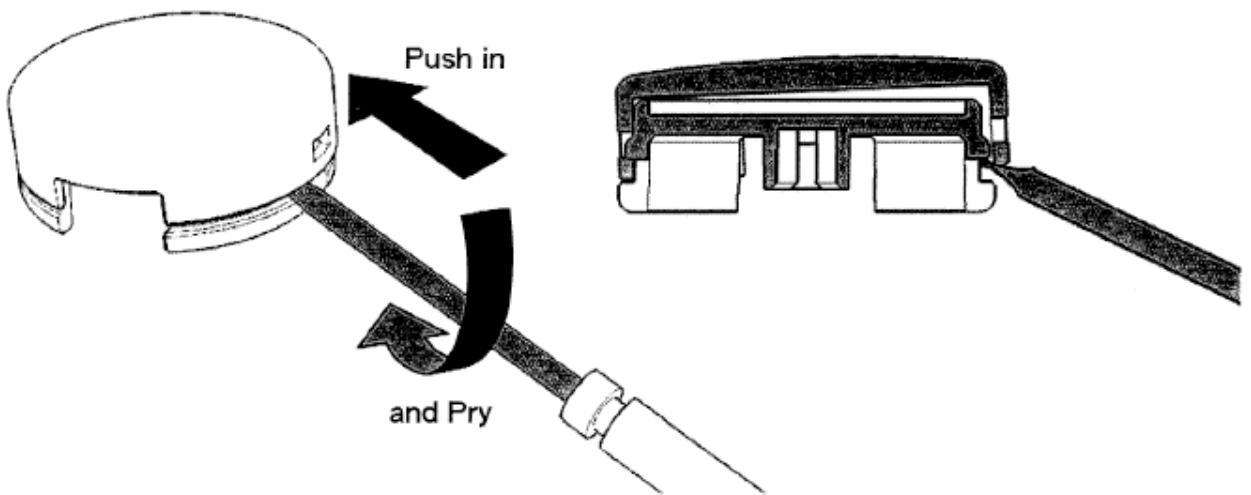
Suitable size of embedded image
Diameter: 21mm



① Use a small flathead screwdriver into the Round slit.



② Pry the Clean Cap from the slit.



③ Push Out the Clean Cap.

